



FL5.1LT
Bucket technical characteristics

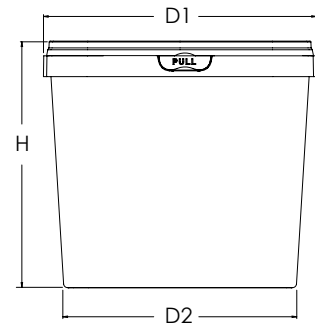
Dimensions

D1: 246 mm

D2: 211.6 mm

H: 155 mm *without the lid*

Deviation ±1mm



Other elements

Capacity (LT)	Volume to rim 4.600 LT	Brim full volume 5.756LT
Net weight / Deviation (±2.5%)	164gr (the handle is also included)	
Handle	Plastic	Weight 9 gr
Buckets packaging	Pallet 900 pcs or 1.200 pcs	
Decoration	IML Label 703X131 mm	Dry Offset 685X110 mm
Packaging	5 Vertically	

Lid technical characteristics

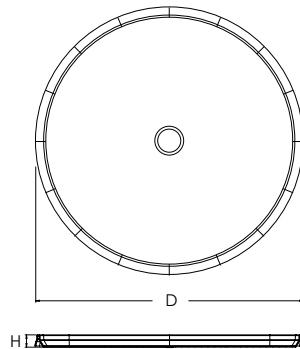
FL5.1LT

Dimensions

D: 242.02 mm

H: 14.3 mm

Deviation ±1mm



Lid technical characteristics

FL5.1LT FOIL

Dimensions

D: 241 mm

H: 24 mm

Deviation ±1mm



Other elements

Lid weight (gr) Deviation (±2.5%)	55 gr (FL 5.1LT(x2))	62 gr (FL 5.1LT FOIL)
Lid packaging	Pallet 2.250 pcs or 3.000 pcs	
Decoration	Dry Offset Ø 120mm	

USEFUL STORAGE INFORMATION: To preserve the quality of this product, it is recommended that it be stored in its original packaging, away from any source of local heat and moisture, away from direct sunlight (below 30°C) and dry conditions. It is recommended that the product be allowed to reach operating temperature 24 hours before use.

RAW MATERIAL: Polypropylene (PP)



ISO 22000/ISO 9001/FSSC 22000

